

# ADAPTER

## OVERVIEW



**QM 5** (37 g)  
IS-203-F



**QM 9** (50 g)  
IS-203-R



**QM 12** (30 g)  
IS-160-R /  
IS-180-F



**QM 44** (37 g)  
PM 180-203



**QM 45** (34 g)  
PM 140-180  
PM 180-220



**QM 46** (37 g)  
PM 203 - 220



**QM 40** (39 g)  
PM 160-180  
PM 140-160  
PM 200-220



**QM 41** (37 g)  
IS-180-R



**QM 42** (34 g)  
PM 160-203



**QM 43** (30 g)  
IS-160-F



**QM 50** (11 g)  
FM 140/160 - 160F  
FM 160/180 - 180F

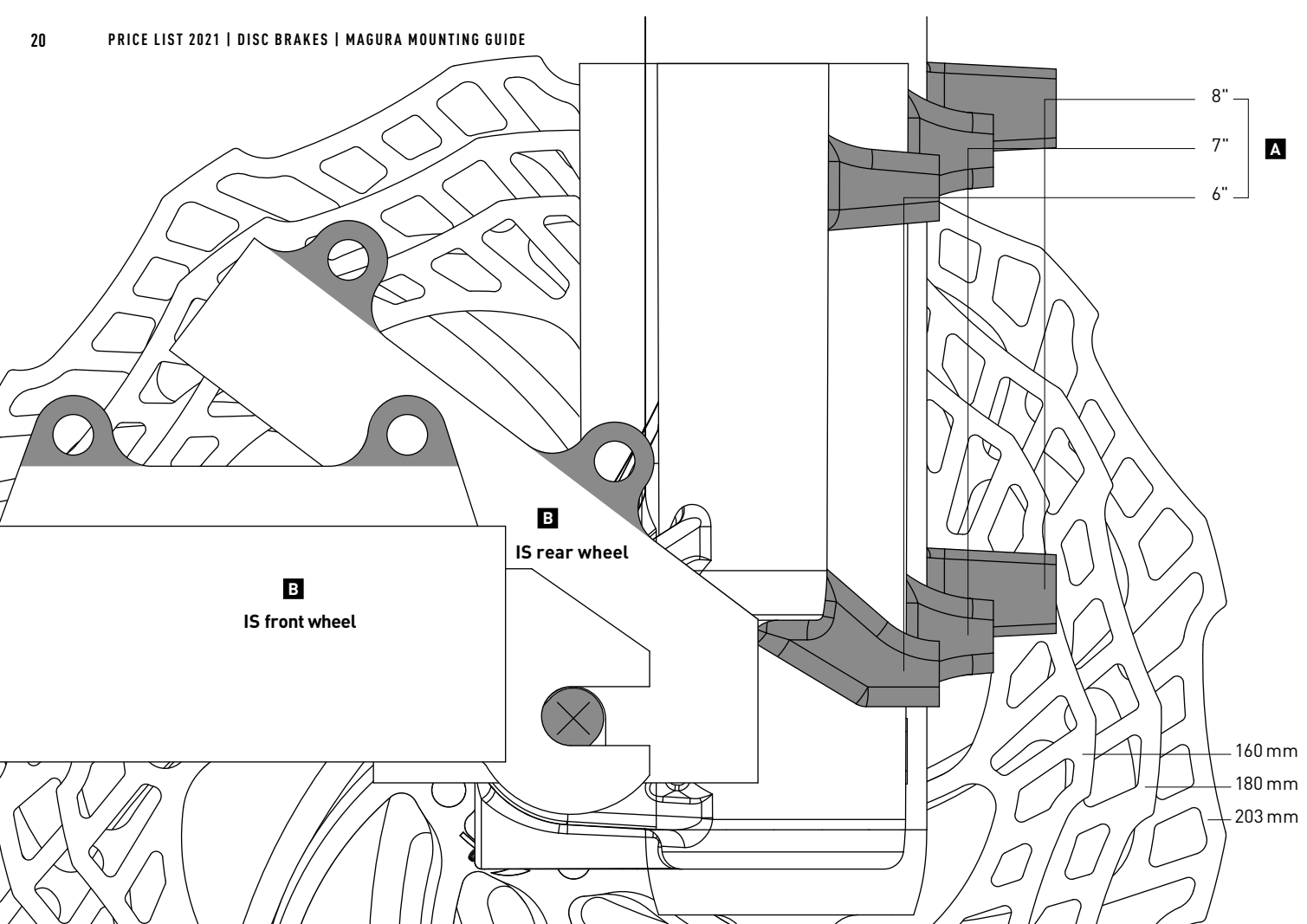


**QM 51** (10 g)  
FM 140/160 - 160R  
FM 160/180 - 180R



**QM 52** (10 g)  
FM 160/180 - 160F

Rotor diameter	Ø 160 mm	Article No.	Ø 180 mm	Article No.	Ø 203 mm	Article No.	Ø 220 mm	Article No.
<b>Fork</b>								
PM 160 (PM 6")	direct		QM 40	2 700 515	QM 42	2 700 517		
PM 180 (PM 7")			direct		QM 44	2 701 967	QM 45	2 701 940
PM 200 (PM 8")					Spacer 1,5 mm		QM 40	2 700 515
PM 203 (PM 8")					direct		QM 46	2 702 193
PM 220							direct	
IS	QM 43	2 700 518	QM 12	0 722 426	QM 5	0 722 321		
FM-F140/160	QM 50	2 701 598						
FM-F160/180	QM 52	2 702 055	QM 50	2 701 598				
<b>Frame</b>								
PM 140 (PM 5")	QM 40	2 700 515	QM 45	2 701 940				
PM 160 (PM 6")	direct		QM 40	2 700 515	QM 42	2 700 517		
PM 180 (PM 7")			direct		QM 44	2 701 967	QM 45	2 701 940
PM 200 (PM 8")					Spacer 1,5 mm		QM 40	2 700 515
PM 203 (PM 8")					direct		QM 46	2 702 193
PM 220							direct	
IS	QM 12	0 722 426	QM 41	2 700 516	QM 9	0 722 325		
FM-R140/160	QM 51	2 701 600						
FM-R160/180	direct		QM 51	2 701 600				



# MAGURA MOUNTING GUIDE

## PLEASE NOTE

To use this chart align the Centre point X with the centre of the dropout of the fork or frame and rotate until the drawing of the appropriate mount aligns with the one on the frame or fork of the bike in question.

## POST MOUNT VERSIONS

### A. Post Mount, 74 mm centre to centre

Found on almost all newer fork models and many frame mounts it comes in 3 main sizes, (shown), 6" where the caliper fits directly to fit a 160 mm rotor. 7" where the caliper fits directly for use with a 180 mm rotor & 8" where the caliper fits directly for use with a 203 mm rotor. These sizes are without an adaptor. Variation. PM 5" frame mounts that fit with 140 mm rotors are also used on some cross country frames.

» All PM mounting sizes fit to standard PM calipers.

## INTERNATIONALE STANDARD VERSIONS

### B. IS 6", 51 mm centre to centre

Used as the standard mounting size for almost all forks and frames between 1999 and 2008 (except Manitou). IS front and rear wheel are different.

### C. IS 8" (IS front wheel), 51 mm centre to centre

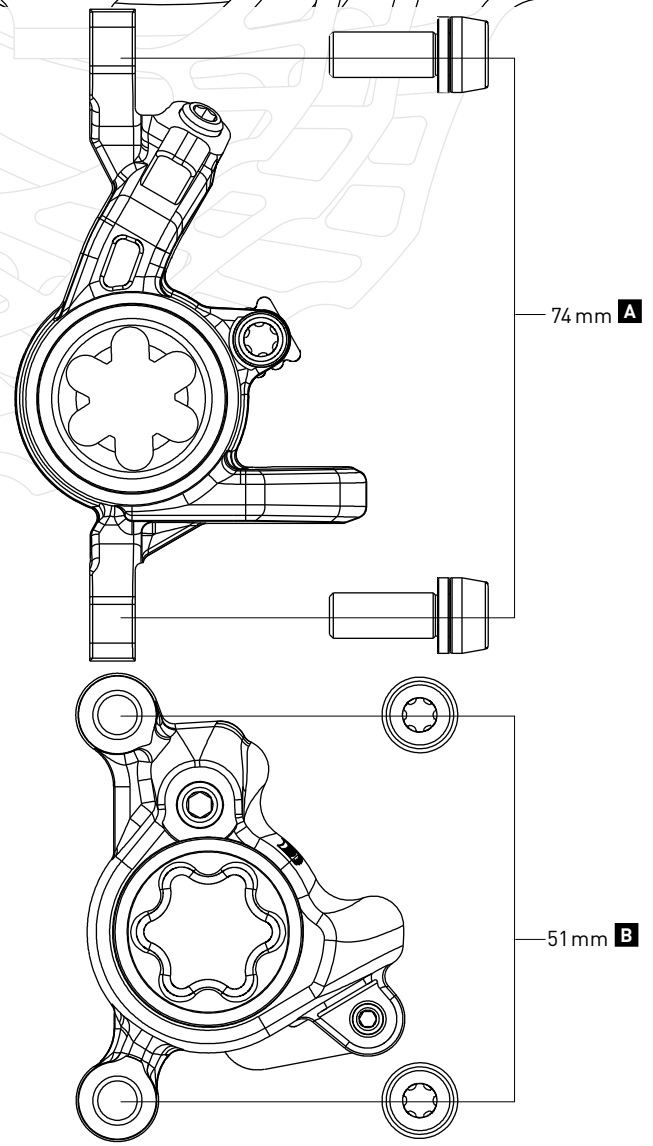
Used up until a few years ago on some DH forks and frames such as Marzocchi Monster, 888 and Fox 40.

» IS 8" fits to all standard IS calipers with 203 mm rotor.

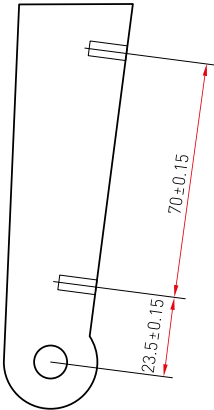
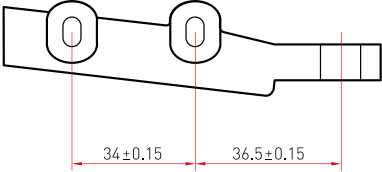
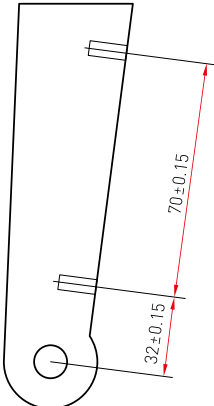
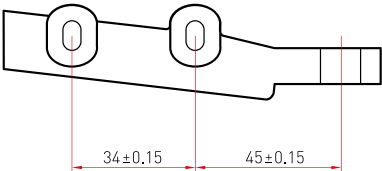
### D. RockShox Boxxer (IS front wheel), 51 mm centre to centre

Similar to IS 8" this size was used almost only on the RockShox Boxxer fork up until 2010.

» RS Boxxer mount fits only with special adaptor or caliper.



# MAGURA FLATMOUNT ADAPTER COMPATIBILITY

	Fork	Rotor	MAGURA Adapter	Frame	Rotor	MAGURA Adapter
F140/160		140 mm	<b>QM 52</b>		140 mm	<b>direct</b>
		160 mm	<b>QM 50</b>		160 mm	<b>QM 51</b>
F160/180		160 mm	<b>QM 52</b>		160 mm	<b>direct</b>
		180 mm	<b>QM 50</b>		180 mm	<b>QM 51</b>